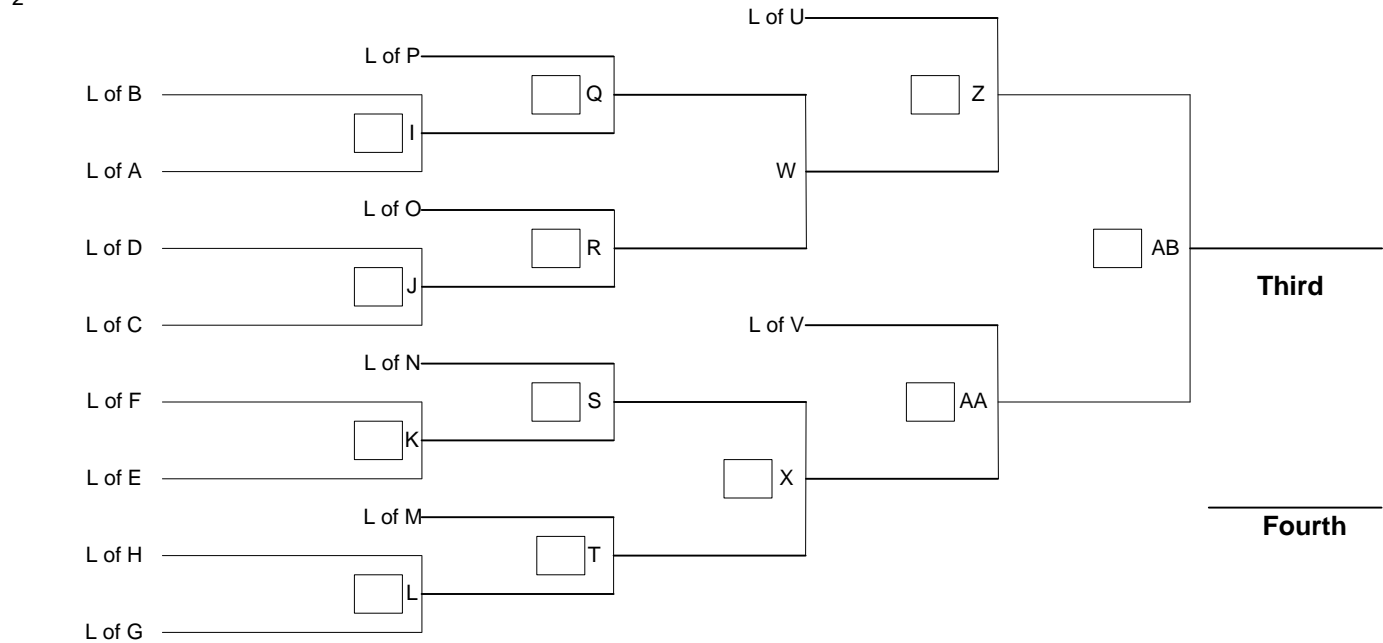
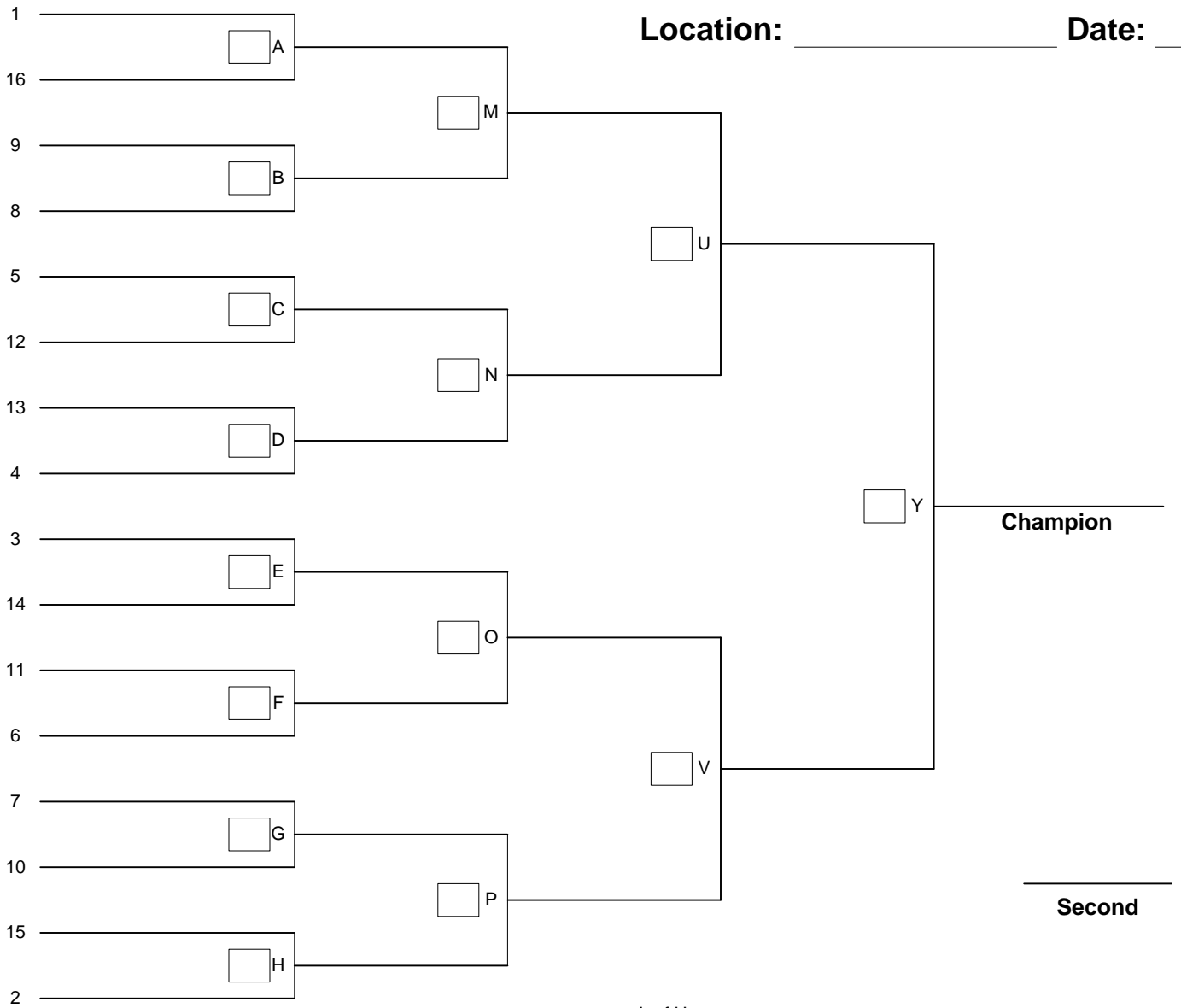


Location: \_\_\_\_\_ Date: \_\_\_\_\_



1. Place wrestlers in the fields according to the number of wrestlers in the bracket. For example if there are only 12 wrestlers, use only bracket positions 1 through 12.
2. Within each bracket, matches proceed in alphabetical order. For mat side pairing, place the tournament bout number in the box next to the match letter.
3. This bracket design does **not** include matches for true second.
4. It is possible for wrestlers meet a second time (in the consolation bracket).
5. L of A = Loser of Match "A", L of B = Loser of Match "B", etc.